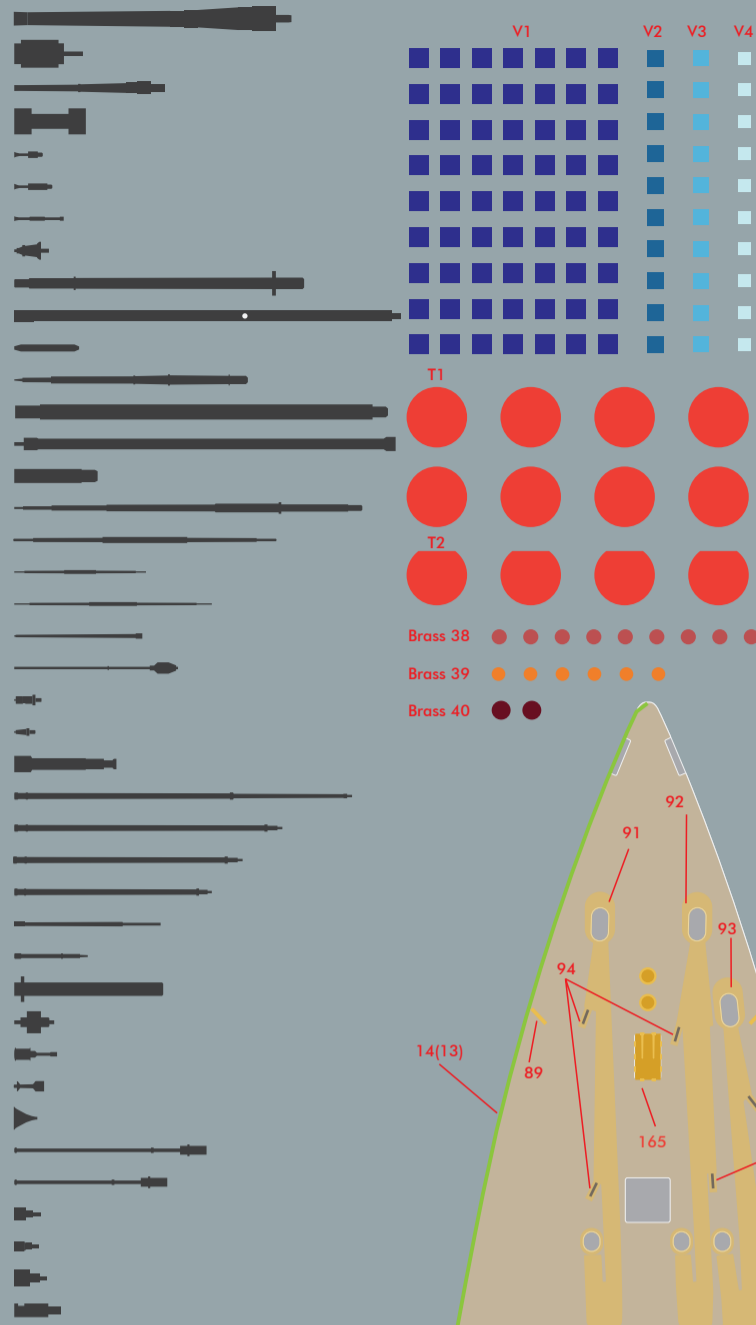


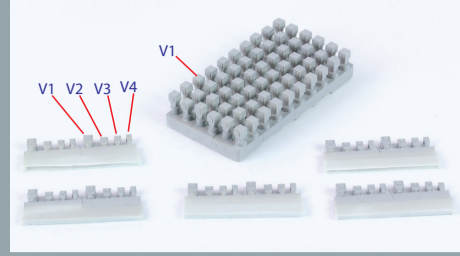
<Scribed Brass Parts : 251 Pcs.>

- 01. 14in Main Barrel : 10Pcs.
- 02. 14in Axis : 10Pcs.
- 03. 5.25in Barrel : 16Pcs.
- 04. 5.25in Axis : 8Pcs.
- 05. 40mmPom-Pom Barrel Short : 24 Pcs.
- 06. 40mmPom-Pom Barrel Long : 24 Pcs.
- 07. 20mm Oerikon Barrel : 30 Pcs.
- 08. 20mm Oerikon Base : 30 Pcs.
- 09. Main mast : 1Pc.
- 10. Main mast Strut : 2Pcs.
- 11. Main mast bar : 1Pc.
- 12. Main Top mast : 1Pc.
- 13. Fore mast : 1Pc.
- 14. Fore mast Strut : 2Pc.
- 15. Fore mast 2 : 1Pc.
- 16. Fore Top mast 1 : 1Pc.
- 17. 40ft Yardarm : 1 Pc.
- 18. 24ft Yardarm : 1 Pc.
- 19. 30ft Yardarm : 1 Pc.
- 20. 45 Yardarm : 1 Pc.
- 21. Type 281 RDF Pole : 2 Pcs.
- 22. ADO : 6 Pcs.
- 23. ALO : 6 Pcs.
- 24. Pole : 1 Pc.
- 25. 50ft Swinging Boom : 2 Pcs.
- 26. 40ft Derrick : 6 Pcs.
- 27. 34ft Derrick : 2 Pcs.
- 28. 30ft Derrick : 2 Pcs.
- 29. 20ft Derrick : 2 Pcs.
- 30. 12ft Derrick : 2 Pcs.
- 31. Crane Axis : 2Pcs.
- 32. Crane Top Axis : 2Pcs.
- 33. 20in Bitt : 22Pcs.
- 34. Wildcat Control Wheel 1 : 3Pcs.
- 35. Bell : 1Pcs.
- 36. Jasck staff : 1Pc.
- 37. Ensign staff : 1Pc.
- 38. Mushroom Vent 1 : 12Pcs.
- 39. Mushroom Vent 2 : 6Pcs.
- 40. Mushroom Vent 3 : 2Pcs.
- 41. Range Finder) : 2 Pcs.



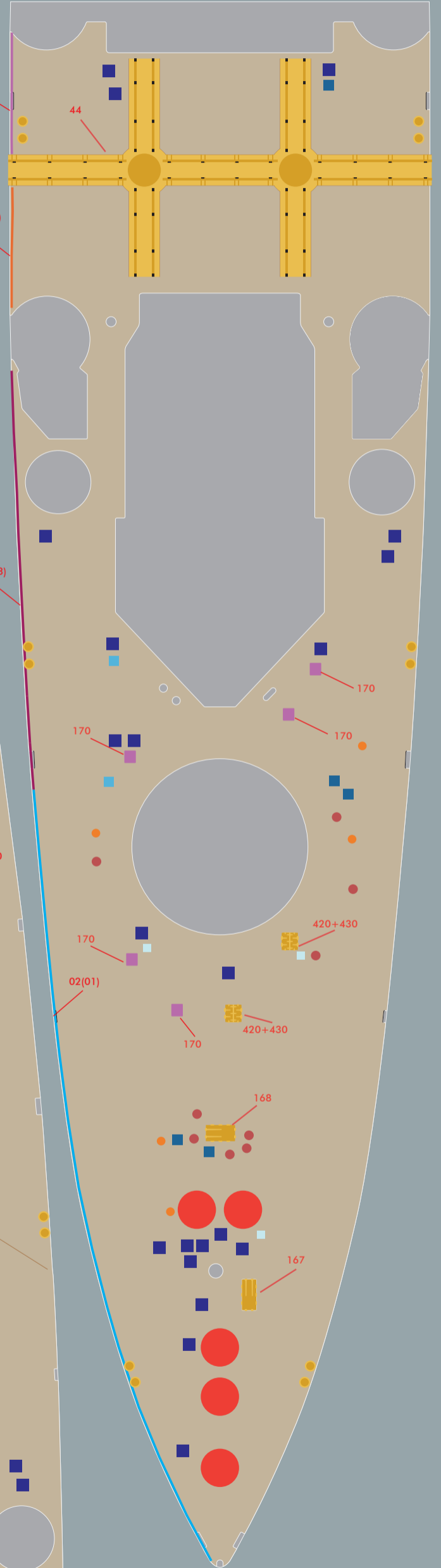
35014F1 1/350 HMS DUKE OF YORK 1943 DETAIL UP SET

<Ventilators>

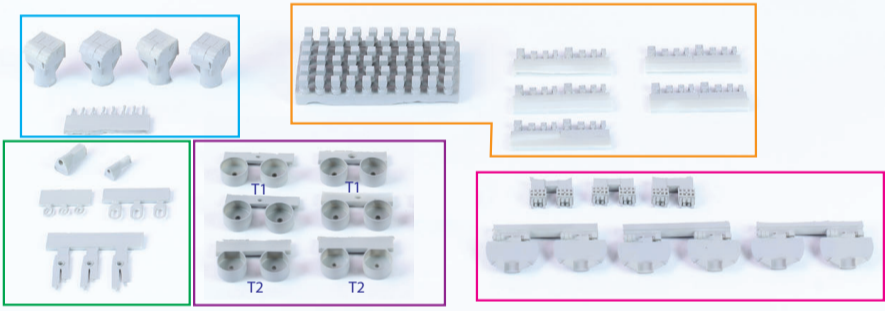


< Contents >

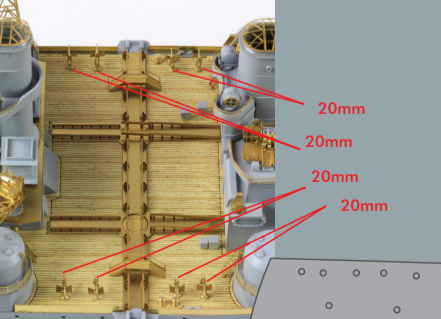
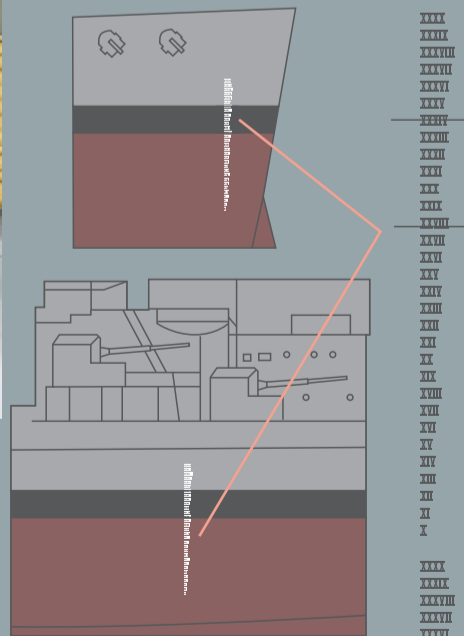
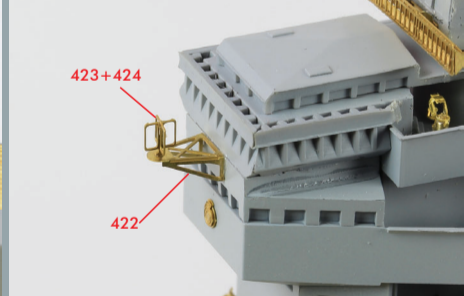
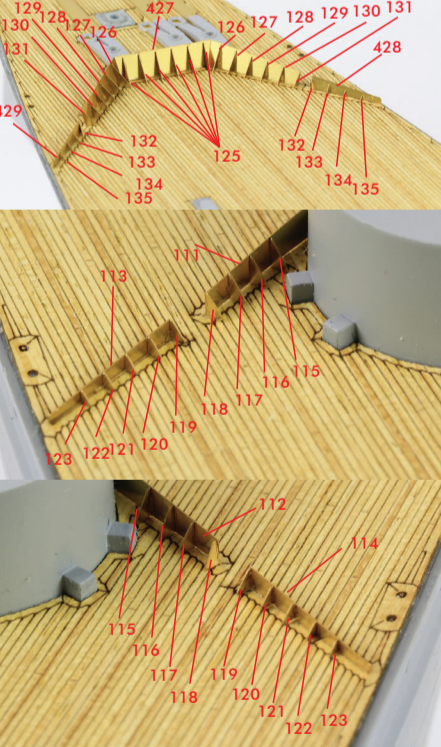
- 1. Stained Wooden Deck
- 2. Scribed Brass : 251 Pcs
- 3. Photo Etching : 6 Sheets
- 4. Resin Parts : 150 Pcs.
- 5. Dry Transfer : 1 Sheet



<Resin Parts>



<Break Water>



<References>

- 1. Warship Volume III, London, Conway Maritime Press, 1979
- 2. V.E. Tarrant, King George V Class Battleships, London, Arms & Armour, 1991
- 3. R A Burt, British Battleships 1919-1945, Annapolis, Naval Institute Press, 1993
- 4. Roger Chesneau, King George V Class Battleships, Barnsley, Seaforth Publishing, 2004
- 5. Alan Raven, Ensign 1 : King George the Fifth Class Battleships, London, BIVOUAC Books Ltd., 1972

<DESIGNED BY SANGHYUN PARK>

For better information or corrections, we update this manual on our website.
Pontomodel makes every effort to see to it that our customers are satisfied. If you have product suggestions or if there is a particular product of dry transfer you would like to suggest we carry, please feel free to contact us.