

<Step 1: Peeling Off >

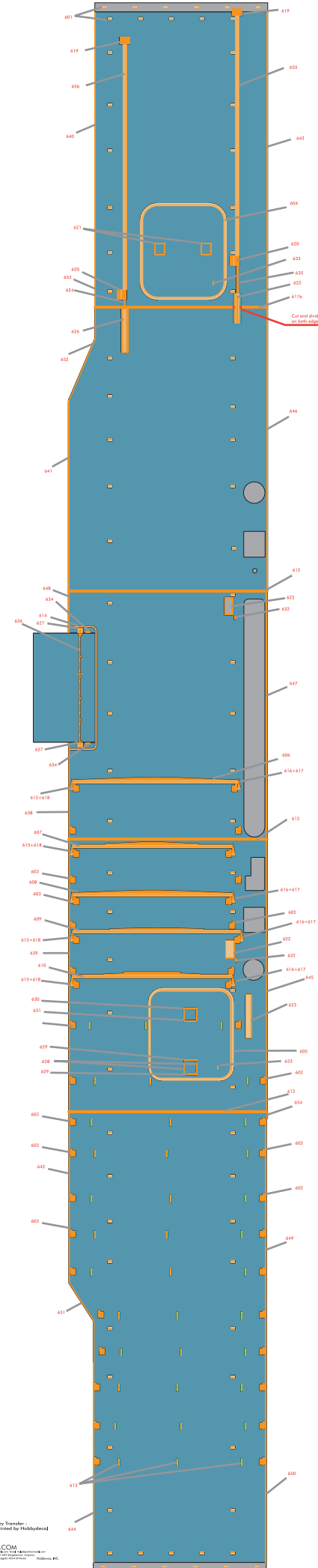
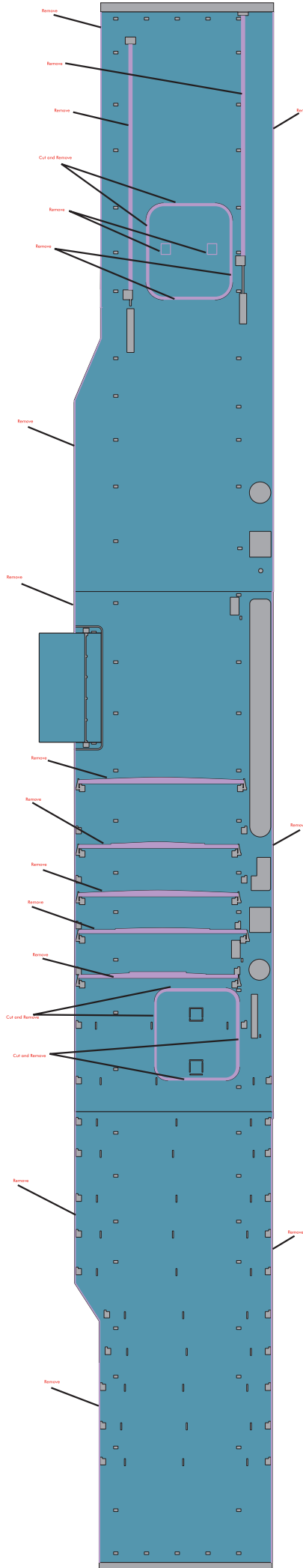
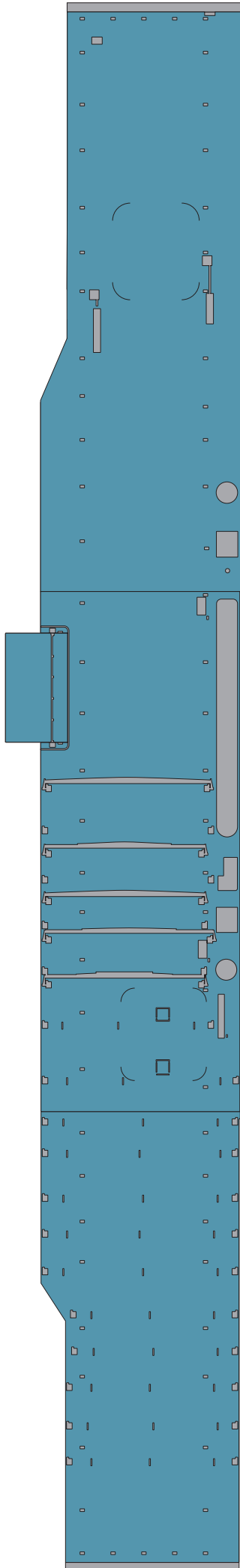
1. Peel off Deck from Transferring film
2. Use Water spraying on both Adhesive sides of Wooden deck and kit deck for easy locating.

<Step 2 : Remove the cutting holes>

1. Remove Pink area of deck after locating and applying
2. Cut the outer edges of the 1st and 3rd Elevators
3. The 3rd Elevator was moved 3mm to Starboard side, so we recommend realizing this Elevator with closed upstairs state.

<Step 3 : Photo Erching>

1. Before attaching, paint the PE parts with Deck Blue
2. After wooden deck applying, Cut off the joint area with the width of Extended Joint PE(611 and 612)

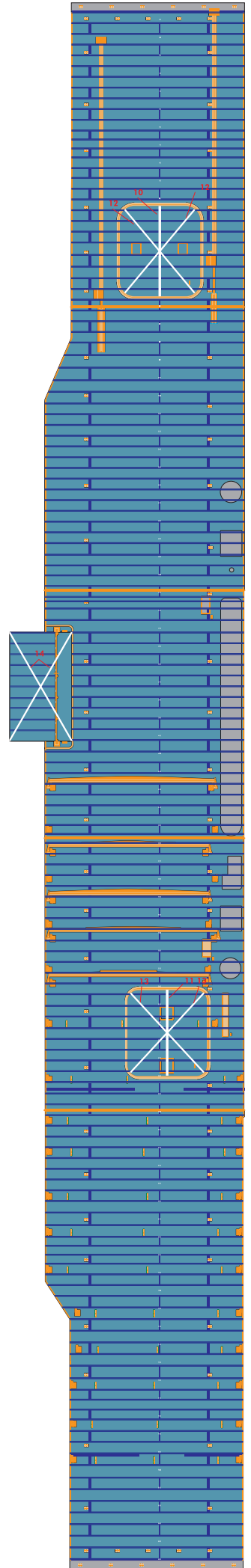
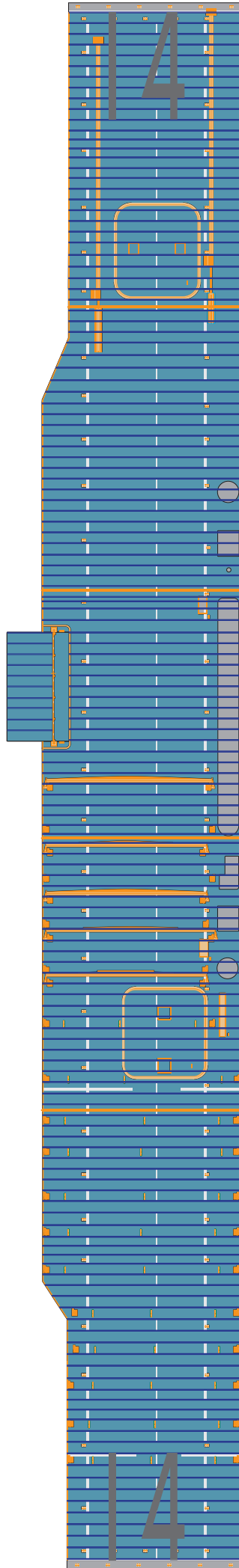
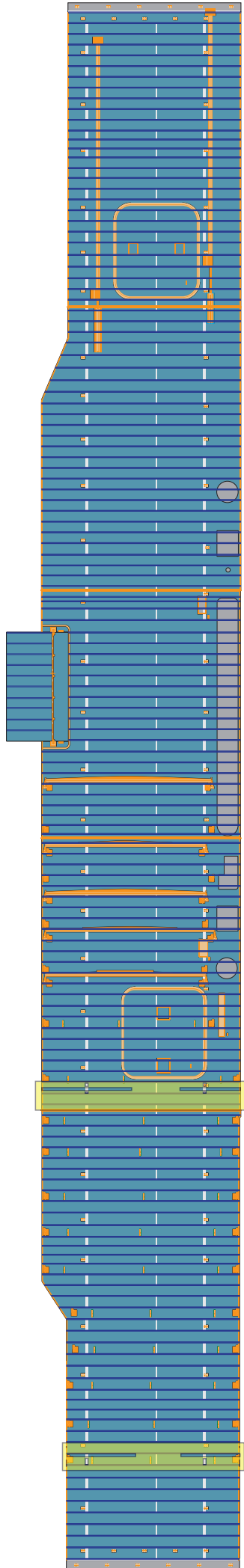
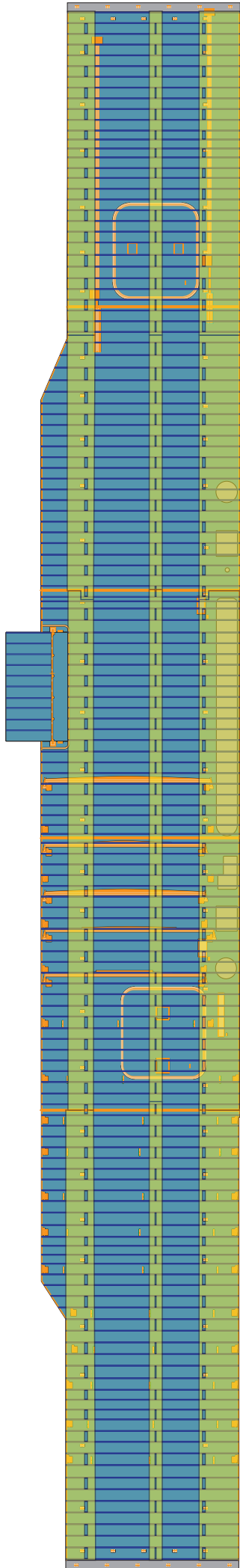


<Step 4 : Masking Sheet>

1. Masking for the center and side flight dotted lines.
2. Masking for Flight landing guide lines.
3. Masking for Ship numbers.
4. Please refer your own references for the location and colors of Flight Deck Markings.

<Step 5 : Dry Transfer>

1. Please refer your own references for the Elevator guide lines and Station numbers from -10F1 to 860F1



01 (10-200)

02 (10-400)

03 (10-600)

04 (10-800)